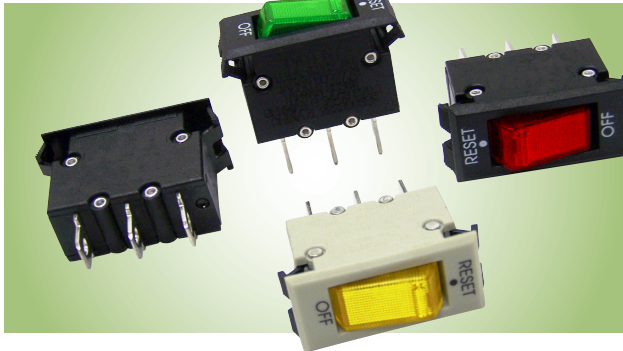


MX41 Series MANUAL RESET ROCKER SWITCH CIRCUIT PROTECTOR



PELCO COMPONENT TECHNOLOGIES • 855 227 3526



MX41 Series rocker switch circuit protectors are “snap-action”, trip-free devices that combine reliable circuit protection, on/off power switching and optional indicator light into one compact design. The MX41 Series is about the size of a standard power switch and fits into most standard power switch cutouts.

The MX41 Series offers amperage ratings from 5A to 15A with a variety of colors, markings and termination options.

EXAMPLES OF MX41 SERIES APPLICATIONS include:

- Fitness Equipment
- Food Processing
- Motors
- Multi-Outlet Power Strips
- Office Equipment
- Transformers
- Wood Stoves
- ...and many more

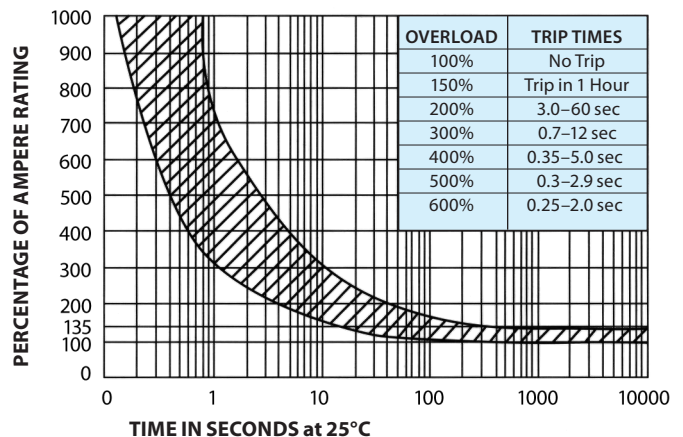
SPECIFICATIONS

- **Current and Voltage Ratings**
3A–20A, 125/250VAC, 12/24VDC
- **Approvals**
3A-20A, 125VAC, UL, cUR
3A-16A, 250VAC, UL, cUR, VDE
5A-16A, 250VAC, TUV
- **Interrupt Capacity**
1000A at 125VAC
- **Endurance Cycling**
Electrical life: 6000 cycles (min.)
Mechanical life: 10,000 cycles (min.)
- **Resettable Overload Capacity**
10 times rated current
- **Dielectric Strength**
1500VAC / 1 minute
- **Insulation Resistance**
> 100MΩ at 500VDC
- **Voltage Drop**
< 0.25V
- **Temperature Rise at Terminal Block**
< 65°C with 100% of rated current applied continuously at 25°C
- **Base Material**
Nylon 66 UL 94-V2
- **Actuator Material**
Polycarbonate (PC) UL94-V2

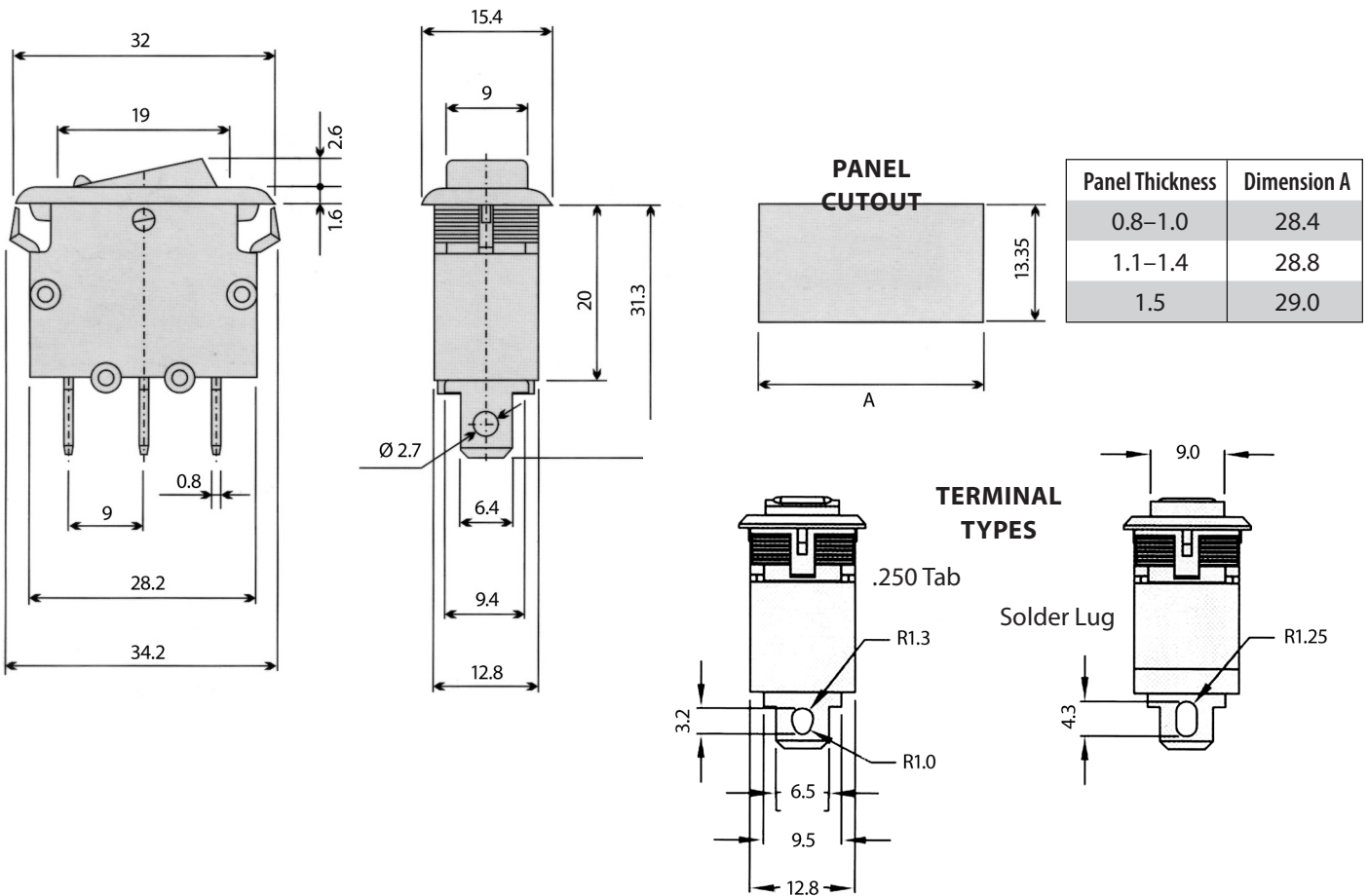
DERATING FACTORS for AMBIENT TEMPERATURE

| Temperature | Current Rating 5A–15A |
|-------------|--------------------------|
| 60°C | x 1.67 |
| 50°C | x 1.43 |
| 40°C | x 1.25 |
| 30°C | x 1.10 |
| 25°C | x 1.00 |
| 20°C | x 0.95 |
| 10°C | x 0.90 |

TRIP TIME CURVE



DIMENSIONS in mm



OPTIONS SELECTION

| Series | Amps select by number | Volts select by letter | Terminals select by number | Actuator select by letter | Base Color select by number | Marking select by letter |
|---|--------------------------|---------------------------|-------------------------------|--------------------------------|--------------------------------|-----------------------------|
| MX41 Manual Reset Rocker Switch Circuit Protectors | 030 3A | A 125VAC | 1 .250 Tab | A Illuminated Amber | 1 Black | A None |
| | 050 5A | B 250VAC | 2 Solder Lug | R Illuminated Red | | B Reset/Off |
| | 080 8A | C 12VDC | | G Illuminated Green | | C Special |
| | 100 10A | D 24VDC | | W Non-Illuminated White | | |
| | 120 12A | | | B Non-Illuminated Black | | |
| | 150 15A | | | E Non-Illuminated Red | | |
| | 160 16A | | | Y Non-Illuminated Gray | | |
| | 200 20A | | | | | |

Example: **MX41 | 150 | A | 2 | E | 1 | B**

*MX41, 15Amps, 125VoltsAC, Solder Lug terminals,
 Non-Illuminated Red Actuator, Black Base, Reset/Off Marking*