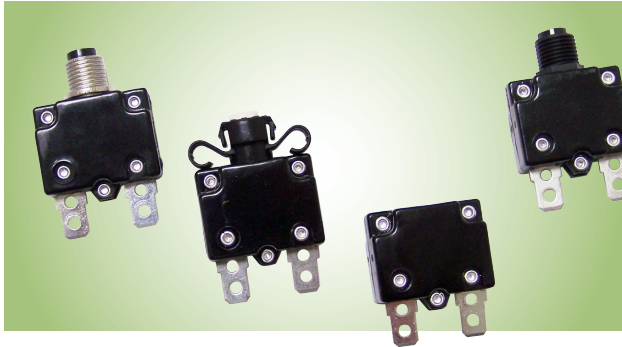


MX11 Series

MANUAL or AUTO RESET CIRCUIT PROTECTOR



MX11 Series Circuit Protectors have been designed to protect against overloads and short-circuits for almost any conceivable application requiring dependability and economy.

The MX11 Series employs a proven “snap-action” bi-metal element to sense overload. When an overload reaches the calibrated trip point of the bi-metal element, the contact snaps open, disconnecting the load.

The reset button on the manual version pops out, thus providing a visual trip indication, and the circuit remains disconnected until manually reset.

The auto reset version resets itself without visual indication.

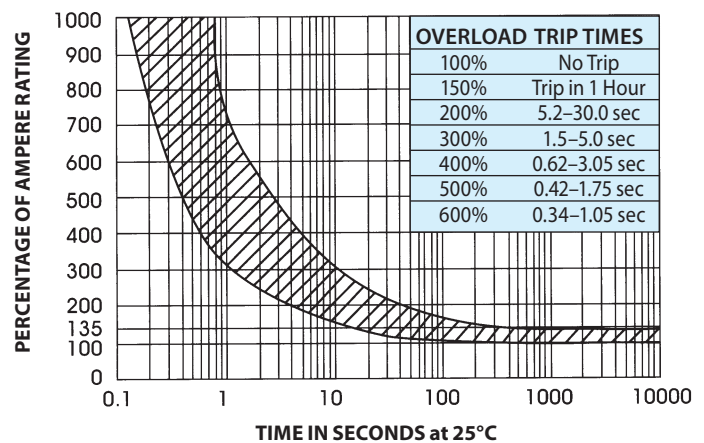


PELCO COMPONENT TECHNOLOGIES • 855 227 3526

EXAMPLES OF MX11 SERIES APPLICATIONS include:

- Audio Systems
 - Control Panels
 - HVAC Equipment
 - Motor Protection
 - Power Supplies
 - Vending Machines
 - Personal Transportation Devices
- ...and many more.

TRIP TIME CURVE



SPECIFICATIONS

■ Trip Time vs. Overload at 25°C

- At 100% of rated current: no trip
- At 150% of rated current: trip within one hour
- At 200% of rated current: trip within 5 to 35 seconds

■ Current and Voltage Ratings

3A–25A, 125/250VAC / 32VDC

■ Interrupt Capacity

1000A at 25VDC, 200A at 250VAC

■ Resettable Overload Capacity

6 times rated current

■ Dielectric Strength

1500VAC / 1 minute

■ Voltage Drop

< 0.25V

■ Temperature Rise at Terminal Block

< 65°C with 100% of rated current applied continuously at 25°C

■ Maximum Reset Time

60 seconds

■ RoHS compliant

■ Termination Options

- .250" QC tabs available in straight, 90° or 45° bend.
- Contact factory for non-standard termination options.

■ Approvals

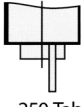
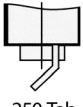
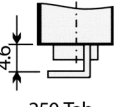
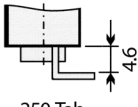
- Manual Reset: cUL 3A-20A, 125/250VAC TC2/OL0/C1
- cUL 3A-15A, 125/250VAC TC2/OL1/C1 (UL1363)
- VDE 3A-16A, 125/250VAC / 32VDC
- TUV 3A-20A, 125/250VAC / 32VDC
- CSA 10A-15A, 125VAC

Auto Reset: TUV 3A-15A, 125/250VAC

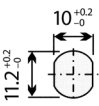
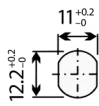
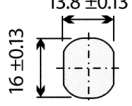
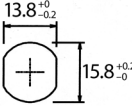
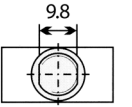
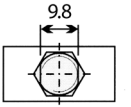
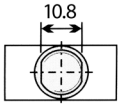
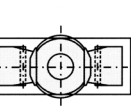
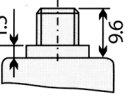
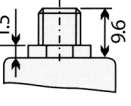
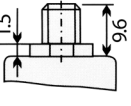
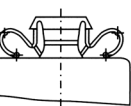
DERATING FACTORS for AMBIENT TEMPERATURE

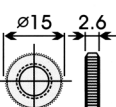
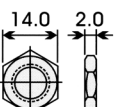
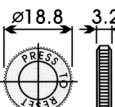
60°C	x 0.60
50°C	x 0.70
40°C	x 0.85
25°C	x 1.00
10°C	x 1.2
0°C	x 1.4
-10°C	x 1.5



OPTIONS ILLUSTRATED / DIMENSIONS in mm

TERMINAL OPTIONS				
	.250 Tab Straight	.250 Tab 45° Bend	.250 Tab 90° Bend	.250 Tab 90° Bend Backwards

Contact Trimax for special terminal requests

PANEL CUTOUTS				
	11.2 ^{+0.2} ₋₀	12.2 ^{+0.2} ₋₀	16 ±0.13	13.8 ⁺⁰ _{-0.2}
BUSHING OPTIONS				
	9.8	9.8	10.8	
				
	1.5	1.5	1.5	
	9.6	9.6	9.6	
	M11X1.0	M11X1.0	M12X1.0	
	A Type	B Type	C Type	Snap In I Snap In II

MOUNTING HARDWARE OPTIONS			
	∅15	14.0	∅18.8
	2.6	2.0	3.2
	Knurlnut	Hexnut	Integrated Knurlnut

MOUNTING ACCESSORY OPTIONS		
	∅24.0*0.4t	
	Silver Printing on Black	Waterproof Cover

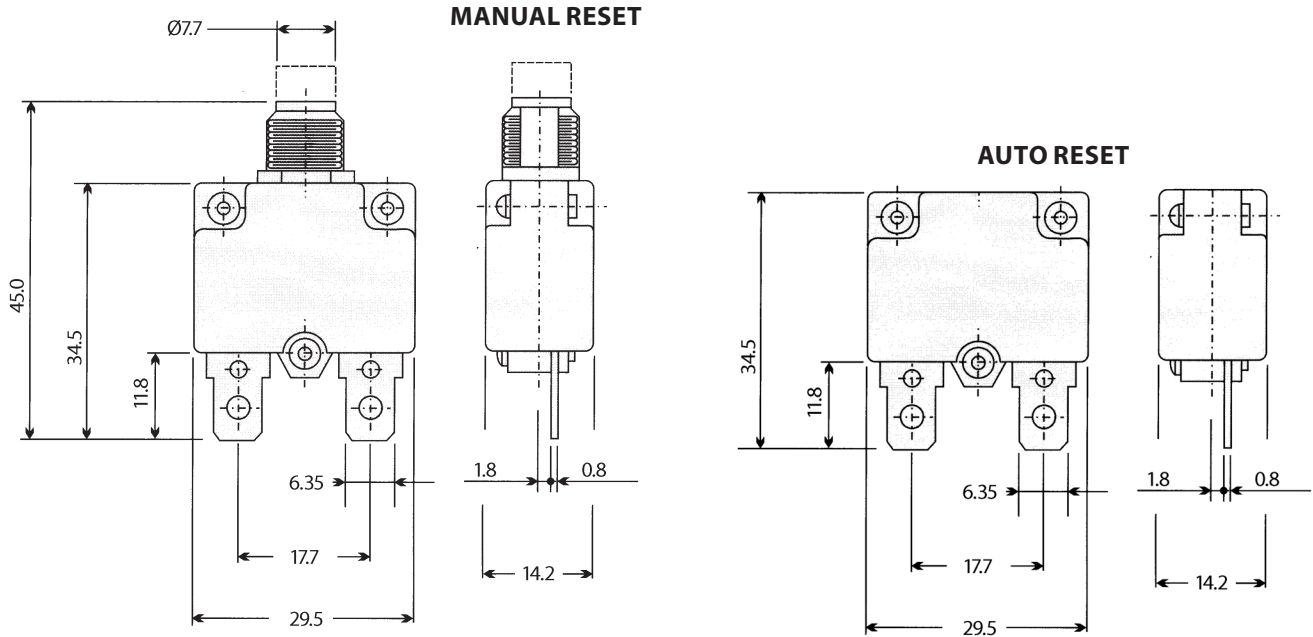
All hardware items are available for M11 and M12.

MX11 Series

MANUAL or AUTO RESET CIRCUIT PROTECTOR

020416

DIMENSIONS in mm



OPTIONS SELECTION

Series	Amps select by number	Volts select by letter	Terminals select by number	Actuator select by letter	Bushing select by number
MX11 Manual or Auto Reset Circuit Protectors	030 3A	A 125/250VAC / 32VDC	1 .250 Tab Straight 2 .250 Tab Bend 45° 3 .250 Tab Bend 90° 4 .250 Tab Bend 90° Backward	A Black Button B Black w/Vertical White Print C Black w/Horizontal White Print D White Button E White w/Vertical Black Print F White w/Horizontal Black Print G White w/Vertical Red Print H Red Button J Red w/Vertical Black Print K Auto Reset	1 A Type Metal 2 B Type Plastic 3 C Type Plastic 4 Snap In I 5 Snap In II 6 None 7 3/8" Plastic
	100 10A				
	150 15A				
	200 20A				

To ensure accuracy when specifying options, please follow selection order:

Series
Amps
Volts
Terminals
Actuator
Bushing
Mounting
Hardware
Mounting
Accessories
Base Color

Mounting Hardware select by letter	Mounting Accessories select by number	Base Color select by letter
A None B Metal Knurlnut C Metal Hexnut D Plastic Integrated Knurlnut E Metal Hex and Knurlnut F (2) Metal Hex Nuts	1 None 2 Nameplate 3 Rubber Boot 4 Rubber Boot with Nameplate	A Black

Example: **MX11 | 100 | A | 1 | A | 1 | F | 4 | A**

MX11, 10Amps, 125/250VoltsAC / 32VoltsDC, Straight .250 tab terminals, Black button actuator, A Type metal bushing, Two metal hexnuts, Rubber boot with nameplate, Black base