

MX33 Series
AUTO RESET CIRCUIT PROTECTOR



PELCO COMPONENT TECHNOLOGIES • 855 227 3526



EXAMPLES OF MX33 SERIES APPLICATIONS include:

- Automotive Applications
 - Household Appliances
 - Lawn and Garden Equipment
 - Battery Chargers
 - Generators
 - Medical Equipment
 - Office Equipment
- ...and many more

MX33 Series are low profile automatic reset circuit protectors suitable for commercial, appliance and automotive applications.

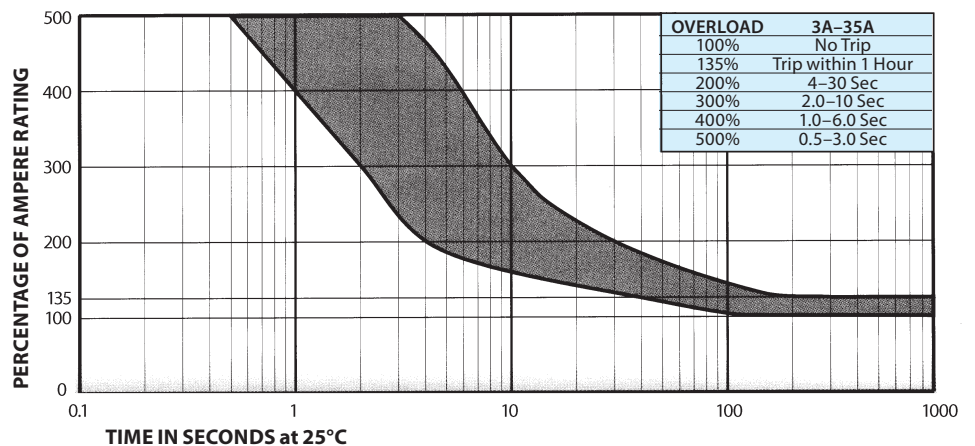
The MX33 utilizes a “snap-action” bi-metal element to sense overload. When an overload reaches the calibrated trip point of the bi-metal element, the contacts snap open, disconnecting the load. When the bi-metal strip cools, the breaker automatically resets.

Dual screw mount connections eliminate rotation or shifting during operation.

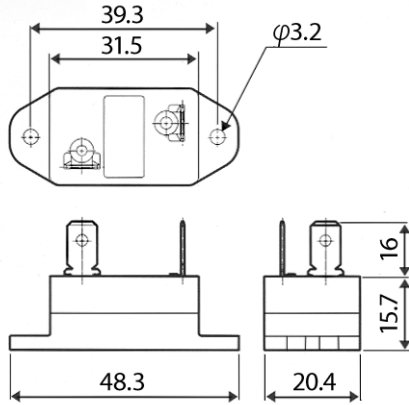
SPECIFICATIONS

- **Trip Time vs. Overload at 25°C**
 At 100% of rated current: no trip
 At 135% of rated current: trip within 1 hour
 At 200% of rated current: trip within 4–30 seconds
- **Current and Voltage Ratings**
 3A–35A, 125/250VAC / 12/24VDC
- **Interrupt Capacity**
 100A at 24VDC
 500A at 125VAC
- **Dielectric Strength**
 1800VAC / 1 minute
- **Insulation Resistance**
 > 100MΩ
- **IEC-934 Method of Tripping**
 “TO” = Thermal

TRIP TIME CURVE



DIMENSIONS in mm



DERATING FACTORS for AMBIENT TEMPERATURE

TEMP	3A-11A	12A-35A
50°C	x 1.75	x 2.00
45°C	x 1.54	x 1.67
40°C	x 1.22	x 1.33
35°C	x 1.11	x 1.11
30°C	x 1.04	x 1.04
25°C	x 1.00	x 1.00
20°C	x 0.95	x 0.95
15°C	x 0.91	x 0.91
10°C	x 0.87	x 0.87
5°C	x 0.83	x 0.83

MAXIMUM INTERNAL RESISTANCE

3.0A-7.0A	0.120 Ω
7.1A-10A	0.100 Ω
10.1A-12A	0.075 Ω
12.1A-14A	0.050 Ω
14.1A-16A	0.030 Ω
16.1A-20A	0.025 Ω
20.1A-25A	0.020 Ω
25.1A-35A	0.015 Ω

OPTIONS SELECTION

Series	Amps select by number	Volts select by letter
MX33 Auto Reset Circuit Protectors	030 3A	A 125/250VAC B 12/24VDC
	040 4A	
	050 5A	
	100 10A	
	150 15A	
	200 20A	
	300 30A	

Example: **MX33 030 A**

MX33, 3Amps, 125/250VoltsAC