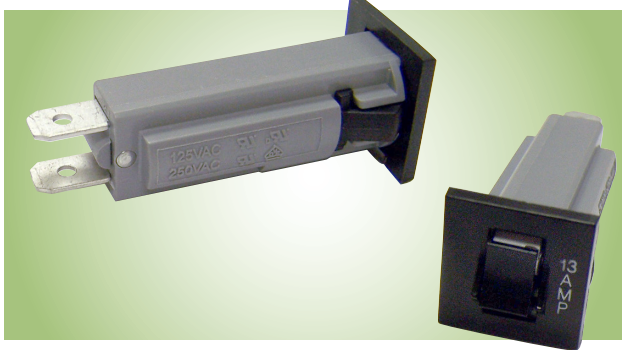


MX15 Series
MANUAL RESET CIRCUIT PROTECTOR



PELCO COMPONENT TECHNOLOGIES • 855 227 3526



EXAMPLES OF MX15 SERIES APPLICATIONS include:

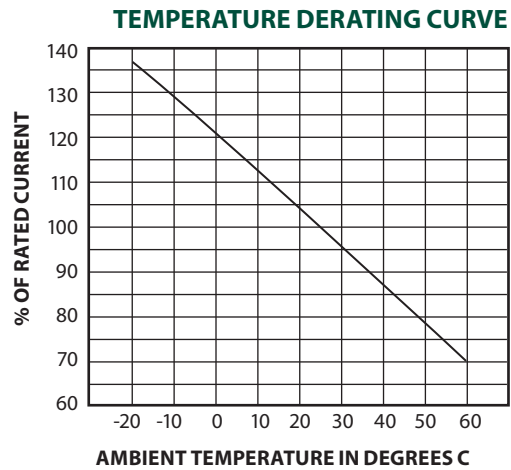
- Audio Equipment
 - Fitness Equipment
 - Food Processing
 - Household Appliances
 - HVAC Equipment
 - Instrumentation
 - Vending Machines
- ...and many more

MX15 Series manual reset circuit protector is a unique, low-cost fuse holder replacement.

The MX15 offers a trip-free mechanism with “snap-action” circuit protection. The snap-in mounting feature fits a range of panel thicknesses from 1.0 to 3.0mm.

SPECIFICATIONS

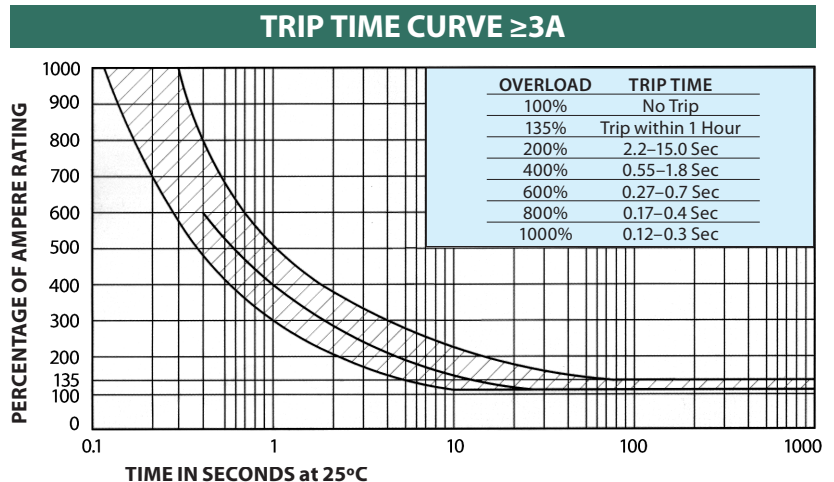
- **Trip Time vs. Overload at 25°C**
 At 100% of rated current: no trip
 0.25A to 2.5A May trip between 101%–149%
 At 150% of rated current: trip within 1 hour
 3.0A to 20A At 135% of rated current: trip within 1 hour
 At 200% of rated current: trip within 1 minute
- **Current and Voltage Ratings**
 .25A–2.5A, 125/250VAC / 32VDC
 3A–20A, 125/250VAC / 50VDC
- **Interrupt Capacity**
 0.25A to 2.5A 1000A at 250VAC, 200A at 32VDC
 3.0A to 20A 1000A at 125VAC, 200A at 250VAC
- **Dielectric Strength**
 1500VAC / 1 minute
- **Overload Capacity**
 10 times rated current
- **Approvals**
 UL / CUL 0.25A–15A 125/250VAC
 cUL / CNR 3A–15A 250VAC
 VDE 3A–16A
 ROHS compliant



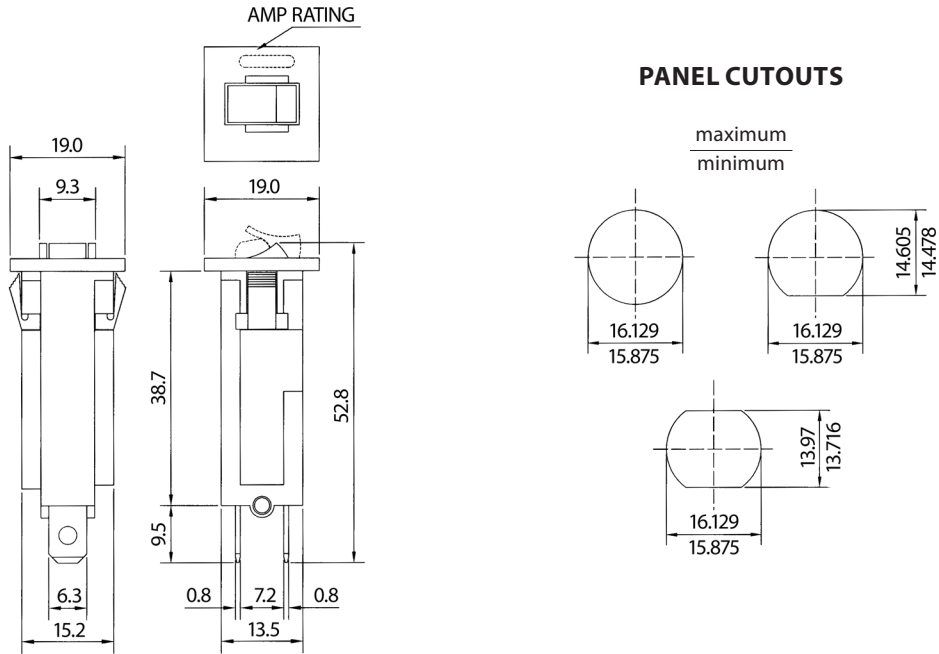
MAXIMUM INTERNAL RESISTANCE

3A	0.080Ω
4A	0.040Ω
5A	0.025Ω
6A–7A	0.020Ω
8A–9A	0.016Ω
10A–11A	0.012Ω
12A–13A	0.010Ω
14A–16A	0.008Ω

For 0.25–2.5A, contact factory



DIMENSIONS in mm



OPTIONS SELECTION

MX15 Manual Reset Circuit Protectors	0025	.25A	A 125/250VAC/32VDC .25 to 2.5Amps
	0050	.50A	
	0075	.75A	
	0100	1.0A	
	0125	1.25A	
	0150	1.5A	
	0175	1.75A	
	0200	2.0A	
	0225	2.25A	
	0250	2.5A	
	030	3.0A	A 125/250VAC/50VDC 3Amps and above
	050	5.0A	
	080	8.0A	
	120	12.0A	
	200	20.0A	
Special amperages available between 3A and 20A			

Example: **MX15 030 A**
 MX15, 3Amps, 125/250VoltsAC / 50VoltsDC